

Designed by Paavo Tynell

PRODUCT



COLOURS



// Soft Black



// Brass



// Classic White

DESCRIPTION

Unveiled in 1948 at the Finland House in New York, the A1965 Pendant was an instant success for Paavo Tynell and one of the lighting fixtures considered to define his mid-century peak. It delicately holds some of his most distinctive design traits; the perforated and polished brass material combined with a unique lift mechanism, raising and lowering the lamp to different heights. The A1965 pendant gracefully diffuses the light downwards through frosted glass, omitting glare whilst gently illuminating the room. The hanging counterweighted A1965 Pendant was Tynell's attempt to add lighting mobility to the ceiling fixture and combining the advantages of the portable and the installed lamp. The impeccable construction of the A1965 Pendant fully reveals Paavo Tynell's knack for elevating ordinary light fixtures into functional art and this remarkable style played a significant role in shaping the aesthetic of mid-century lighting.

VERSION - A1965 Pendant

Canopy and small parts // Polished Brass.

Fabric wire // Brass.

Wire // Steel.

Diffuser // Transparent glass, frosted on one side.

Shade variations // Brass, Black or White.

- Brass / White inside // Polished Brass / RAL 9002 // Shiny / Gloss level 10-15
- Soft Black / White inside // RAL 9011 / RAL 9002 // Gloss level 15-20 / Gloss level 10-15
- Classic White / White inside // RAL 9002 / RAL 9002 // Gloss level 15-20 / Gloss level 10-15

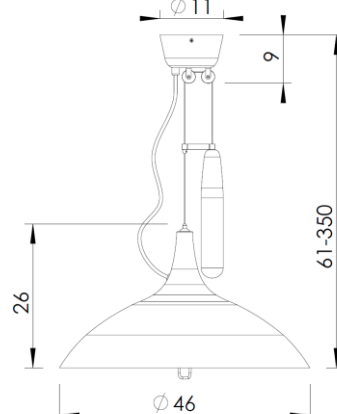
Due to natural materials surface and structure can vary.

MEASUREMENTS

Order item - look for part number in the pricelist.

Series contains the following:

- 1965 Pendant**
- 5321 Table Lamp**
- 9464 Wall Lamp**
- 9602 Floor Lamp**



FACTS

MEASUREMENT LAMP- L X W X H MM

Height: 26 cm

Shade: Ø46 cm

Cord - exposed out of lamp: App. 380 cm

WEIGHT ITEM - LAMP INCL. WIRE

5,7 kg

PACKAGING TYPE

Cardboard box

PACKAGING MEASUREMENT - L X W X H CM

L:53 X W:53 X H:35 cm

WEIGHT PACKAGING TOTAL

1,8 kg

WEIGHT LAMP + PACKAGING - TOTAL

7,5 kg

NUMBER OF PARCELS

1 pcs.

ACCESSORIES

-

ENVIRONMENT

-

TESTS

-

CERTIFICATION AND LABELS

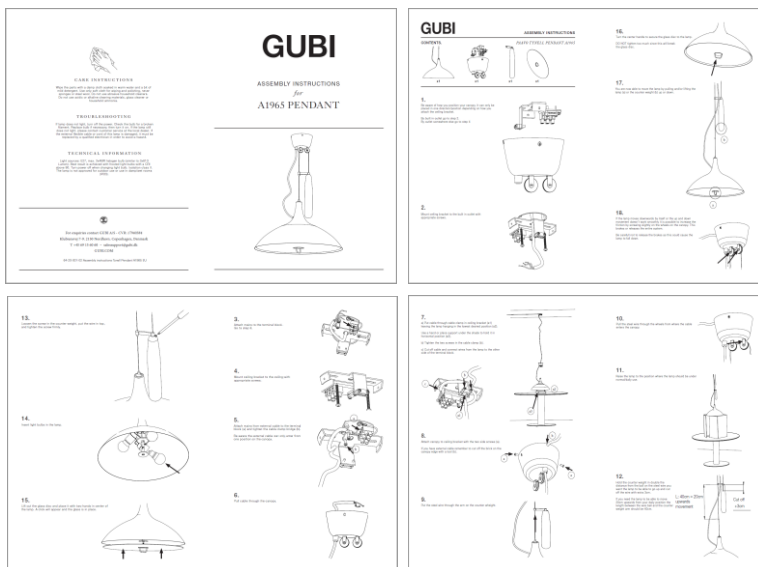
CE-certified

SAFETY INSTRUCTIONS

If the cord or other electrical part is damaged, switch of the lamp and do not use it until it is repaired by a qualified electrician.

INSTALLATION INSTRUCTIONS

Instructions document no.: 64-20-001-XX



LIGHT SOURCE:

- Socket: 3xE27 base
- Bulb types recommended:



- Recommended light sources:

If LED is chosen, only dimmable versions work.

810 Lumen (~ 60W incandescent
~ 40-60W halogen - 6-10W LED)

- Max. light out put for above lamps:

810 Lumen (~ 60W incandescent ~ 46W halogen)
By LED 1530 Lumen (~ 13-16W)

- Best result is achieved with frosted light bulbs
with a CRI (Colour Rendering Index) larger than 90.

- Lightbulb not included.

- All lamps can be fitted with a dimmer - Please contact your local electrician.

- If dimming wanted use dimmable light bulbs only.

- Can be connected to a dimming system if proper receivers are installed
in front of the lamp.

*Euro voltage: 230 V

*Frequency: 50 Hz

*Supply voltage: AC power ~

*Normally Closed: IP20



Class II / Double insulated



CE-Mark



Luminaire accepted for mounting on a flammable base