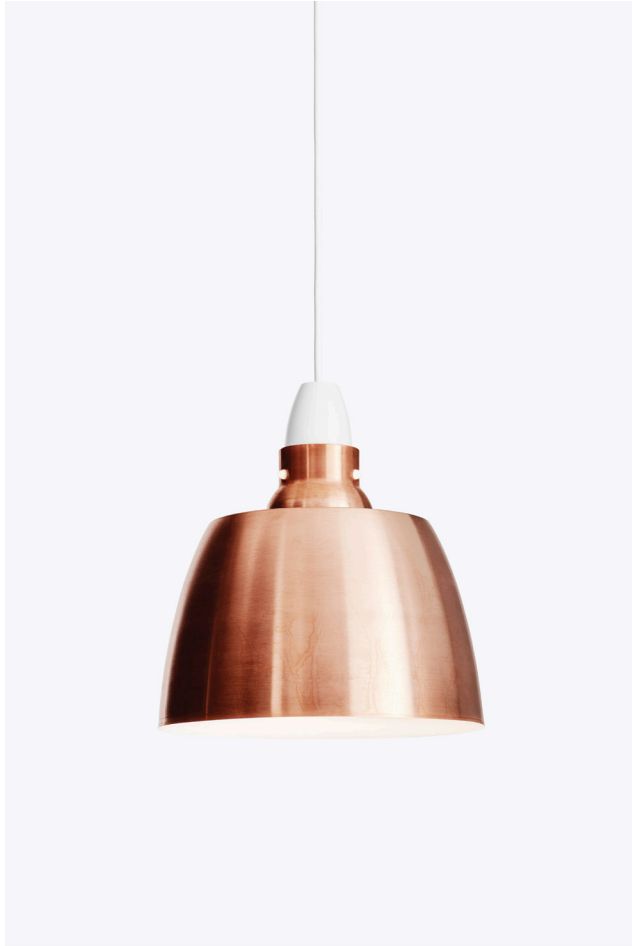


NEW WORKS.

Product Fact Sheet - Lighting - Hang On Honey Pendant



Hang On Honey Pendant

Niels Bak Rasmussen

Hang On Honey Pendant presents an industrial form with an adaptable shell. This reference to industrial pendants of the past is further emphasized by the roughness of raw copper and oxidized aluminium, or simply changed to a striking Jet Black finish. A clever design detail that allows the pendant to adapt and change with its owner.

About the designer Niels Bak Rasmussen

Striving for original design solutions, the work of Niels Bak Rasmussen pushes the boundaries of design and form with a strong reference to his architectural background. His lights and lamps aim not just to illuminate a subject or space, but also to ignite a spark within.

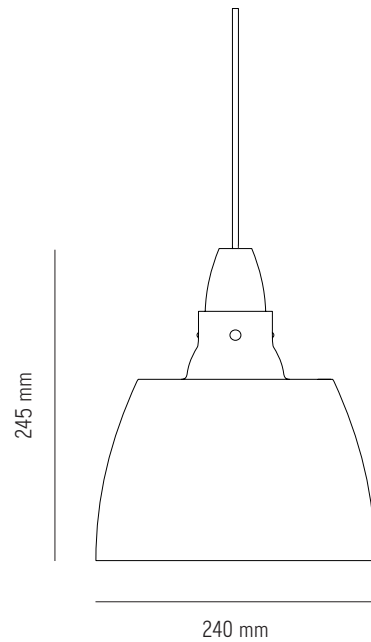
Ean No	Item No	Variation
5712826202104	20210	Jet Black
5712826202111	20211	Oxidized Aluminium
5712826202128	20212	Raw Copper

NEW WORKS.

Product Fact Sheet - Lighting - Hang On Honey Pendant

Specifications

Product Name	Hang On Honey
Designer	Niels Bak Rasmussen
Year	2011
Category	Lighting
Type	Pendant
Material	Aluminium / Copper
Colour/Variant	Jet Black / Oxidized Aluminium / Raw Copper
Product Dimensions	H: 275 x Ø: 240 mm
Packaging Dimensions	H: 235 x W: 255 x D: 255 mm
Cord	White PVC, 2900 mm - (Canopy not included)
Weight (incl. Packaging)	1,2 kg / 1,4 kg
Light Source	E27, Max 60W (220-240~50/60 Hz)
Bulb	Not Included
Certification	CE, Class II, IP20
County of origin	China
Master packaging	1



Cleaning & Care Guide

Turn off the electricity before cleaning the lamp. Wipe the glass shade with a soft dry or moist cloth. Do not use any abrasive cleaning tools, and never use strong cleaning agents such as household glass cleaner, white spirit, turpentine.

Safety Precautions

The Hang On Honey Pendant is carefully handcrafted, and therefore every item is unique. It may occur different expression in the material and surface, with smaller marks and minor deviations. The lamp is only intended for indoor use, and consult a professionally qualified electrician if any doubt. Only use approved light bulb and following guidance - 220-240V~ 50/60Hz, E27 Max 60W, ESL/CFL Max 13W or LED 11W, Consult a professionally qualified electrician if any doubt. The light bulb and lamp exterior might get hot after prolonged use.



NEW WORKS.

Product Fact Sheet - Lighting - Hang On Honey Pendant

Variation

Jet Black



Oxidized Aluminium



Raw Copper

