

Designed by Louis Weisdorf

### PRODUCT



### COLORS



### DESCRIPTION

The Multi-Lite was first drawn in 1972 when Louis Weisdorf did an exception to his own design custom of using multiple repeating elements. Instead it reflects his passion for diversity. The Multi-Lite pendant has two individual rotating shades and can be transformed into multiple combinations where the light can be directed upwards, downwards or exude an asymmetrical art light. The lamp is available in seven colors and all the shades are white lacquered inside.

### VERSION - MULTI-LITE S PENDANT

Colour codes are indicative:

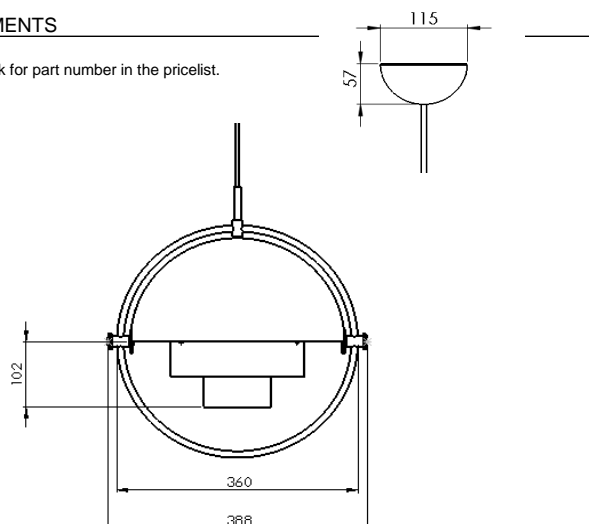
- All Brass - brass colored cable
- Brass/Charcoal Black - RAL 9011 - Gloss level 5 - black cable
- Brass/White - RAL 9003 - Gloss level 15 - white cable
- Brass/Blue - RAL 250 50 25 - Gloss level 15 - brass colored cable
- Brass/Rose dust - RAL 050 60 20 - Gloss level 12 - brass colored cable
- Brass/Seagrey - RAL 160 70 05 - Gloss level 12 - brass colored cable
- All Chrome - black cable
- Chrome/Black - RAL 9005 - Gloss level 15 - black cable
- Chrome/White - RAL 9003 - Gloss level 15 - white cable

Canopy:

- Brass on brass versions
- Chrome on chrome versions

### MEASUREMENTS

Order item - look for part number in the pricelist.



### FACTS

#### MEASUREMENT - L x W x H mm

- Lamp height: 360 mm
- Lamp diameter: Ø360 mm
- Canopy size: Ø115 x 57 mm
- Wire length, exposed: Approx.. 4000 mm

#### WEIGHT ITEM - LAMP INCL. WIRE

2700 G

#### PACKAGING TYPE

Cardboard box

#### PACKAGING MEASUREMENT - L x W x H cm

L: 38 x W: 38 x H: 51 cm

#### WEIGHT PACKAGING - MATERIAL TYPE (recyclable)

- Polystyrene: 272 g
- PE polybag: 25 g
- Cardboard inside: 396 g
- Cardboard outside: 1120 g

#### WEIGHT PACKAGING - TOTAL

1800 G

#### NUMBER OF PARCELS

1 pcs.

## MULTI-LITE // PENDANT Ø360, EU MODEL

THE MULTI-LITE COLLECTION

Designed by Louis Weisdorf

### ACCESSORIES

-

### ENVIRONMENT

-

### TESTS

-

### CERTIFICATION AND LABELS

CE-certified

### SAFETY INSTRUCTIONS

If the cord or other electrical part is damaged, switch of the lamp and do not use it until it is repaired by a qualified electrician.

### INSTALLATION INSTRUCTIONS

Instructions document no. 58-20-001-01

#### LIGHT SOURCE:

- Socket: E27 base
- Bulb types recommended:



- Recommended light sources:

If LED is chosen, only dimmable versions work.

810 Lumen (~ 60W incandescent  
~ 40-52W halogen ~ 6-10W LED)

- Max. light out put for above lamps:

1100 Lumen (~ 75W incandescent ~ 60-70W halogen)  
By LED 1530 Lumen (~ 13-16W)

- Best result is achieved with frosted light bulbs  
with a CRI (Colour Rendering Index) larger than 90.  
- Lightbulb not included.

- All lamps can be fitted with a dimmer.  
- Please contact your local electrician.

\*Euro voltage: 230 V

\*Frequency: 50 Hz

\*Supply voltage: AC power ~

\*Normally Closed: IP20



Class II / Double insulated CE-Mark



Luminaires accepted for mounting on a flammable base

